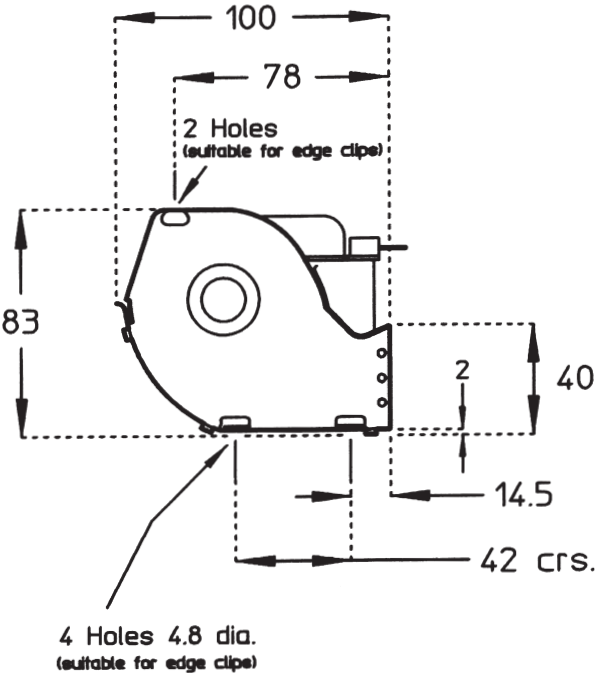


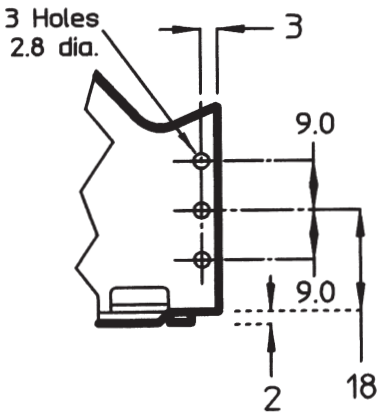
# 60MM DIAMETER Medium Pressure Fan Range

## General Arrangement

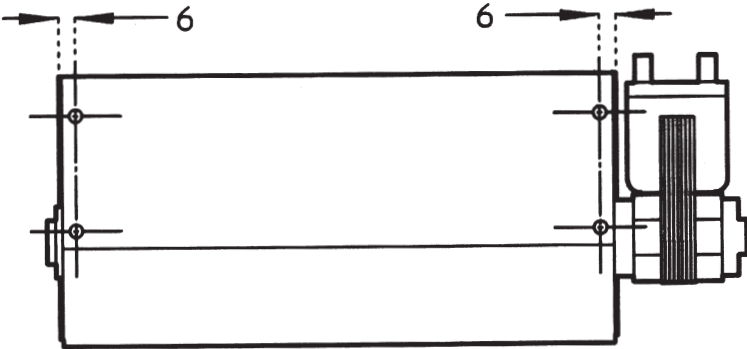
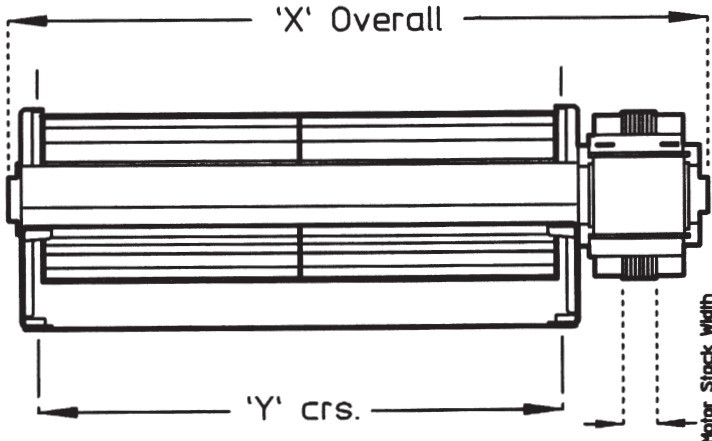
Type 'B'



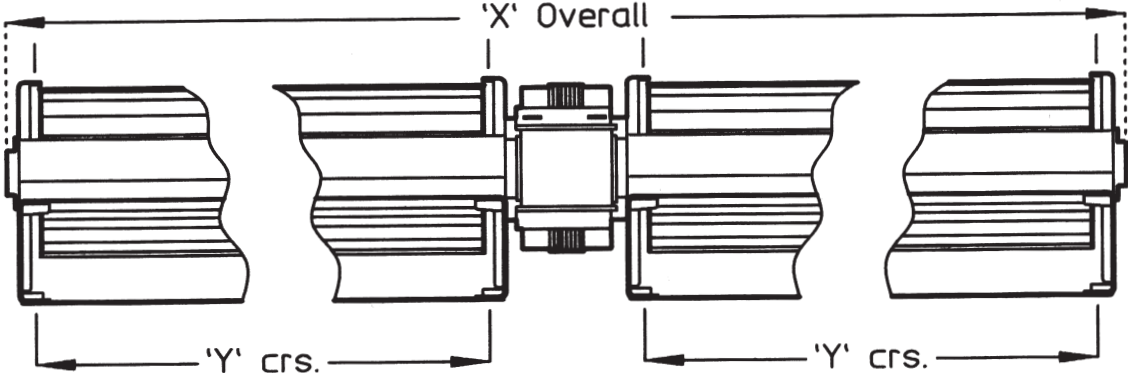
Element Mounting Detail



Drawn Left-Hand - 'BL'



Drawn Centre Build - 'BC'



## Table Range Code: B

### Product Data Table

Style L,R or C (see GA)	Impeller Length (mm)	Motor Stack Width (mm)	Motor Code	Free Air Flow (L/S)	Max Static Pressure (mm H <sub>2</sub> O)	Free Air Speed (rpm)	Overall Length 'X' ± 0.5mm (see GA)	Fixing Centres Dimension 'Y' ± 0.5mm (see GA)
L,R	60	13.0	C	16	4.2	2500	131.8	70.0
L,R	120	13.0 25.0	C G	30 42	4.3 4.8	1860 2500	192.8 199.8	131.0
L,R	180	13.0 13.0 20.0 25.0	A C E G	30 35 45 55	2.6 3.2 3.3 4.3	1260 1460 1870 2360	253.8 253.8 260.8 265.8	192.0
L,R	240	13.0 13.0 20.0 25.0 38.0	B C E G J*	33 39 53 66 78	1.4 1.8 2.3 3.8 4.4	1080 1240 1660 2120 2500	314.8 314.8 321.8 326.8 339.8	253.0
L,R	300	13.0 13.0 20.0 25.0 38.0	B C E G J*	37 41 58 71 90	1.1 1.4 1.7 2.9 3.5	960 1110 1500 1810 2350	375.8 375.8 382.8 387.8 400.8	314.0
L,R	360	20.0 25.0 38.0	E G J*	62 76 97	1.3 2.0 2.4	1300 1550 1840	442.8 447.8 460.8	375.0
L,R	420	20.0 25.0 38.0	E G J*	62 78 100	1.0 1.3 2.0	1200 1420 1780	503.8 508.8 521.8	436.0
L,R	480	25.0 38.0	G J*	76 96	2.0 2.6	1180 1500	570.8 583.8	497.0
C	180/180	20.0 25.0 38.0	E G J	62 76 97	1.3 2.0 2.4	1300 1550 1840	468.5 473.5 486.5	192.0/192.0
C	240/180	20.0 25.0 38.0	E G J	65 78 100	1.0 1.3 2.0	1200 1420 1780	529.5 534.5 547.5	253.0/192.0
C	240/240	25.0 38.0	G J	76 96	2.0 2.6	1180 1500	596.5 609.5	253.0/253.0
C	300/240	25.0 38.0	G J	80 100	1.8 2.2	1150 1500	657.5 670.5	314.0/253.0
C	300/300	25.0 38.0	G J	85 106	1.8 1.8	1100 1420	718.5 731.5	314.0/314.0
C	360/360	25.0 38.0	G J	90 110	1.7 1.7	1050 1350	840.5 853.5	375.0/375.0

#### NOTES:

Motor Code marked \*requires cooling fan, add 15.9mm to dimension X.

Length 'X' is for standard motor bearings and standard impeller bearings

For sealed impeller bearings add:

15.0mm to Overall Length 'X' on styles L/R

30.0mm to Overall Length 'X' on style 'C'

Fan units can be supplied chassis mounted if required.

A twist on/twist off motor mounting plate is available.