

Fig 1 - Rear & Side View

		PLSTW100	PLSTW150(SS)
	WATTS	1000	1500
MILLIMETRES	A	640	892
	B	430	430
	C	364	616
	D	138	138

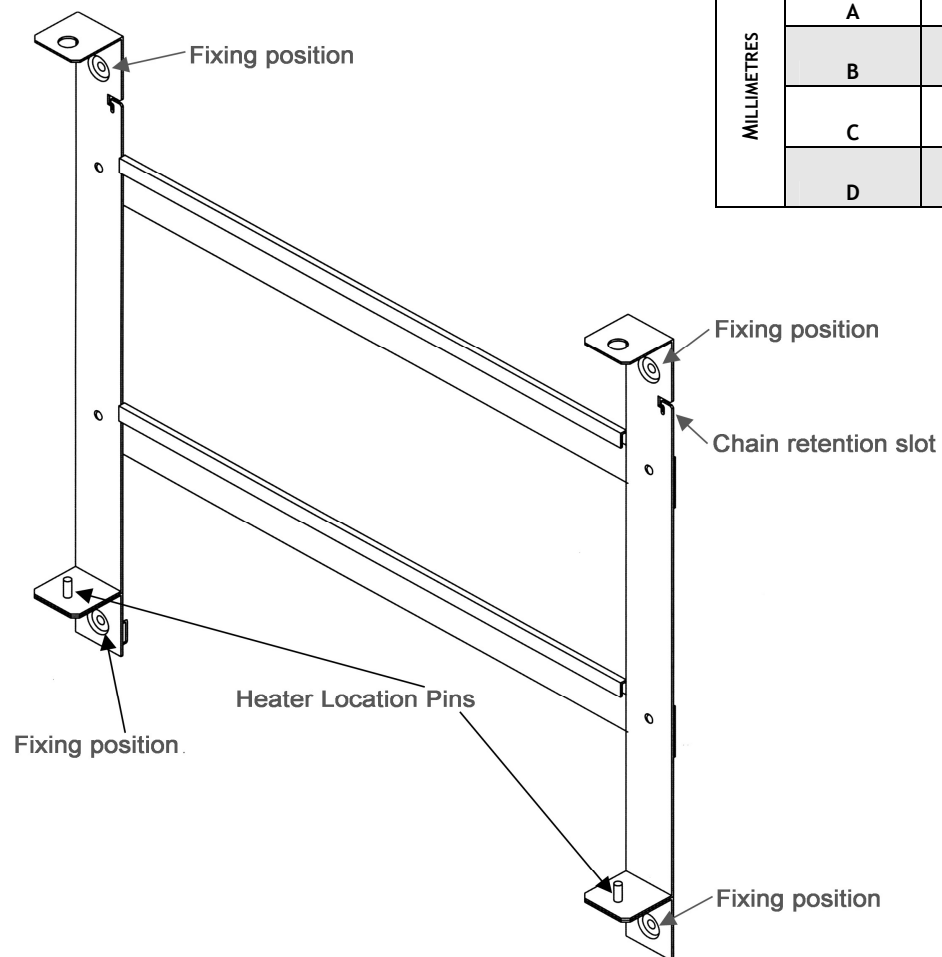
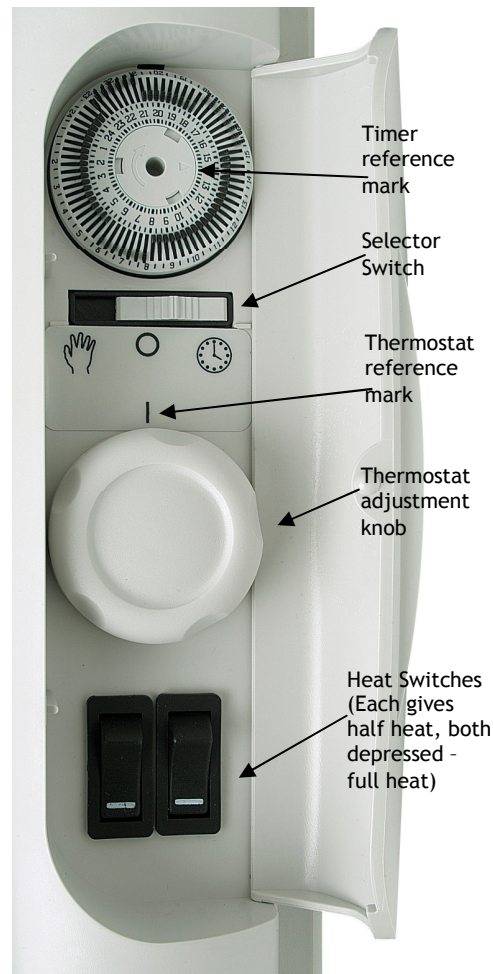


Fig 2 - Wall Bracket

## CONTROLS

When the appliance is connected to the mains supply and the wall socket is switched 'ON' the mains neon indicator will light, showing that the power is available to the unit.

NB: On the non-timer models the timer control and selector switch are replaced with a Fan rocker switch



## MANUAL OPERATION

The heater is fitted with a built-in thermostat to control the temperature level to which the room is heated. The thermostat adjustment knob, which is located behind the switch panel door on the side of the heater, is numbered. To set the room temperature both the Fan switch and one or both of the Heat switches must be depressed. (For TI (timer) models there is a selector switch positioned below the timer which must be set to the manual position designated to switch the fan on). Rotate the knob clockwise to a higher number to raise the room temperature. Once set it is unlikely it will need to be touched again.

To set the heater to the Frost Watch mode both the Fan switch (or selector switch in manual position for TI models) and one of the Heat switches must be depressed. Turn the thermostat control knob fully anti-clockwise until the frost symbol aligns with mark.

To use the heater on Fan Only mode depress only the Fan switch (or selector switch in manual position for TI models). The thermostat control knob must be turned clockwise to the highest number.

The switches, which are behind the door on the side panel of the heater, operate as follows:

1. Fan but no heat switches depressed: fan only
2. Fan and one heat switch depressed: 0.75 kW for the PLST150 and 0.50 kW for the PLST100
3. Fan and both heat switches depressed: 1.5 kW for the PLST150 and 1.0 kW for the PLST100

## USING THE TIMER (TI Models only)

The heater must be connected to the mains supply in order for the timer to operate continuously.

Set the current time of day onto the timer by rotating the dial face clockwise until the correct time is indicated against the timer reference mark on the 24-hour clock face.

## AUTOMATIC OPERATION

Move the switch immediately beneath the timer to the auto position designated .

4. The 24-hour timer can be set to give any combination of On/Off intervals to a minimum of 20 minutes on. Select the 'On' time required by pressing the black segment (on the circumference of the timer) adjacent to the time required outwards. This will cause the heater to switch 'On' at the selected time for 20 minutes operation. Each additional segment pressed out will give a further 20 minutes of operation. In this way, select the length of time required for the unit to be 'On' and push out the number of 20-minute segments necessary to select the time period required.
5. The timer can be set to give as many 'On' periods as required during any 24-hour period.
6. This program will repeat itself every 24 hours until changed. This program may be overridden at any time by switching to manual operation.

## THERMAL OPERATED CUT-OUT

The appliance is fitted with a thermal cut-out. This is a safety device which switches the heater off if, for any reason, the appliance overheats. The control will automatically re-set after the appliance has cooled down.

Ensure that the appliance is functioning correctly. If the control operates again, the appliance should be checked by a competent electrician. The heater carries a 'Do Not Cover' label to warn the user that if the appliance is covered, there is a risk of overheating.

## MOUNTING - GENERAL

This unit is for wall mounting only. It is designed to be very quiet in operation if mounted correctly. It must be fitted using the wall bracket supplied which has been specially designed to minimise noise levels. Care must be taken when handling the bracket not to bend or distort it.

When fitting more than one heater into a room we would recommend that they are sited on the same wall to optimise airflow and ensure quiet operation.

1. Remove wall bracket from the heater by removing the 2 securing screws from the top of the rear panel
2. Fix wall bracket to wall using screw holes (4 off)
3. Present heater to bracket
4. Locating the 2 rubber grommets fitted at the bottom rear of the heater, sit the heater onto the wall bracket heater location pins (Fig 2).
5. Easing the heater towards an upright position, hook the attached chain into the wall bracket chain retention slot (Fig 2), then move heater into an upright position and secure to the wall bracket using the screws provided. Ensure the supplied washers are placed between the rubber grommets on the wall bracket and the heater brackets.
6. Tighten both retaining screws until they bottom out.

## MOUNTING ON A PLASTERBOARD WALL

- Ensure at least one of the wall brackets is secured to the timber frame of the studded wall by using standard wood screws.
- Where the bracket is fitted onto plasterboard only, ensure plasterboard fixings are used. Standard wall plugs will not be suitable.
- Where possible mount the heater(s) on an outside wall to inhibit transfer of sound within the building.

NB: Failure to follow the instructions and recommendations provided could result in increased noise levels.

#### CONNECTION TO THE MAIN SUPPLY

Electrical installation should be carried out by a competent installer, preferably registered with NICEIC (National Inspection Council for Electrical Installation Contracting) in accordance with the 16 edition of the IEE Wiring Regulations, (BS.7671), and any relevant Local Authority Bye-Laws.

This heater is fitted with a 3-core mains supply cable and should be permanently connected to the electricity supply via a double pole switch having 3mm gap on each pole.

A switched Fused Connection unit to BS.1363. Part 4 is a recommended mains supply connection accessory to ensure compliance with safety requirements applicable to fixed-wiring installation.

**Note:** When switched on for the first time the appliance may emit a slight smell. This is purely the evaporation of a fluid used in the manufacturing process.

**WARNING:** This appliance must be earthed.

#### CLEANING

Always disconnect the heater from the mains before cleaning.

The heater should not require any maintenance, but it is strongly advised that it is kept clean. An occasional wipe over with a soft cloth is all that should be necessary.

- Do NOT use metal or furniture polish on any part of the heater
- Do NOT touch the heater with wet hands or in any way bring water into contact with it.

If the supply cord is damaged, it must be replaced by the manufacturer or its service agent or a similarly qualified person in order to avoid a hazard.

#### SAFETY

This equipment has been designed and manufactured to the highest international standards, but, like all electrical appliances which are operated by mains voltage, care must be taken if you are to obtain the best results and safety is to be assured.

**NOTE:** The appliance is not intended for use by persons (including children) with reduced physical, sensory or mental capabilities, or lack of experience and knowledge unless they have been given supervision or instruction concerning use of the appliance by a person responsible for their safety.

Children should be supervised to ensure that they do not play with the appliance

- Do NOT site the appliance into a corner.
- Do NOT handle the appliance with wet hands.
- Do NOT use the appliance in workshops or rooms where excessive dust is generated or present.
- Ensure that nothing is pushed into any aperture of this appliance.
- Do NOT touch outlet grille when the appliance is in use.
- Do NOT cover or restrict any aperture of the appliance when in use.
- Do NOT use the appliance if damaged.
- Do NOT leave the appliance unattended where young children are present.
- If used in a bathroom, the heater is to be installed so that the switches and other controls cannot be touched by a person in the bath or shower.

This appliance meets the requirements of EU Directive 89/336 for EMC.

**NOTE:** The rating label can be viewed by loosening the two mounting bracket screws and hinging the appliance forward on its retaining chains.

#### IF YOUR HEATER DOES NOT WORK

- Check that power is available to the heater. The neon in the control switch should be illuminated.
- Check that the thermal cut-out has not operated. Follow the reset instructions given under the section headed 'Thermal Operated Cut-out'.
- Check that the fuse in the spur unit has not blown. This can be done by replacing the fuse with another suitable fuse. Should neither of the above remedies work, then telephone the helpline number shown in these instructions. (UK ONLY).
- Do not attempt to repair the heater.

#### GUARANTEE

This guarantee is offered to you as an extra benefit and does not affect your legal rights.

All electrical appliances produced for the Company are guaranteed for one year against faulty material or workmanship. This applies only if the appliance has been used for purposes in accordance with the instructions provided and has not been connected to an unsuitable electricity supply, or subject to misuse, neglect, damage or modified or repaired by any person not authorised by us.

The correct electricity supply voltage is shown on the rating label attached to the appliance.

#### CUSTOMER HELPLINE

Should you need any advice on the use of your new Consort product, or should you require service or repair, please contact our Helpline:

☎ 01646 692172 Mon to Fri 8.30 am to 3.30 pm

**Consort Equipment Products Limited**  
Thornton Industrial Estate, Milford Haven, Pembrokeshire, SA73 2RT  
Tel: 01646 692172 Fax: 01646 695195  
Email: [enquiries@consortepl.com](mailto:enquiries@consortepl.com) Web: [www.consortepl.com](http://www.consortepl.com)

# CONSORT QUALITY SPACE HEATERS

INSTALLATION, OPERATION AND MAINTENANCE INSTRUCTIONS FOR

## CONSORT PLST 1 kW & 1.5 kW LOW SURFACE TEMPERATURE HEATERS

PLEASE RETAIN THIS LEAFLET FOR FUTURE MAINTENANCE

Catalogue Numbers: PLST100 PLST100TI  
PLST150/SS PLST150TI/SS

Please note: 'SS' suffix added to model number denotes Stainless Steel derivative  
(only available in the 1.5 kW models)

