

## SAFETY

This equipment has been designed and manufactured to the highest international standards, but like all electrical appliances which are operated by mains voltage, care must be taken if you are to obtain the best results and safety is to be assured.

NOTE: The appliance is not intended for use by persons (including children) with reduced physical, sensory or mental capabilities, or lack of experience and knowledge unless they have been given supervision or instruction concerning use of the appliance by a person responsible for their safety.

Children should be supervised to ensure that they do not play with the appliance.

- Do NOT use this appliance in bathrooms or where similar conditions of excessive moisture are present.
- No NOT handle the appliance with wet hands.
- Do NOT use the appliance in an enclosed room so small that the heater will generate ambient temperatures in excess of 30°C.
- Do NOT use the appliance with young children unattended.
- Do NOT use the appliance in rooms where excessive dust is generated or present.
- Do NOT touch outlet grille when appliance is in use.
- Do NOT cover or restrict any aperture of the appliance when in use.
- Do NOT use the appliance if damaged.

If the appliance has been kept in freezing conditions, run at cold/fan setting for 5 minutes before using heat settings.

This appliance meets the requirements of EU Directive 98/336/EEC for EMC.

## GUARANTEE

This guarantee is offered to you as an extra benefit and does not affect your legal rights.

All electrical appliances produced for the Company are guaranteed for one year against faulty material or workmanship. This applies only if the appliance has been used for purposes in accordance with the instructions provided and has not been connected to an unsuitable electricity supply, or subject to misuse, neglect, damage or modified or repaired by any person not authorised by us.

The correct electricity supply voltage is shown on the rating label attached to the appliance.

Please retain your receipt as proof of purchase.

## CUSTOMER HELPLINE

Should you need any advice on the use of your new Consort product, or should you require service or repair, please contact our Helpline:

**01646 692172** Mon to Fri 8.30 am to 3.30 pm

**Consort Equipment Products Limited**

Thornton Industrial Estate, Milford Haven, Pembrokeshire, SA73 2RT

Fax: 01646 69519 Email: [enquiries@consortepl.com](mailto:enquiries@consortepl.com) Web: [www.consortepl.com](http://www.consortepl.com)

# CONSORT

INSTALLATION, OPERATION AND MAINTENANCE INSTRUCTIONS FOR

## 2 kW WALL MOUNTED

## RECESSED HEATER

### Model Number: RWH2



PLEASE RETAIN THIS LEAFLET FOR FUTURE MAINTENANCE

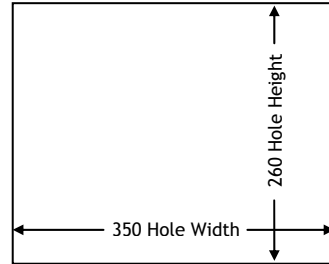
## INSTALLATION

Ensure the electricity supply is disconnected from any relevant fixed wiring before commencing the installation. The supply circuit must be adequate for the input of the appliance and must be protected by a 13 Amp fuse.

The heater must not be located immediately below a fixed socket outlet.

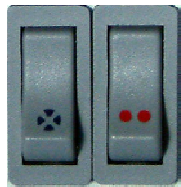
## PROCEDURE

1. Mark out and cut hole in the wall to accept main body of appliance (see diagram for hole dimensions).
2. Remove front grille (2 screws each side).
3. Mark screw fixing positions on the wall (2 each side) using main body as template. The unit must be screwed to the wall with 4 screws through the holes. Drill 4 holes to suit No 10 wood screws (round head) and insert rawlplugs.
4. Screw body to wall.
5. Refit front grille.



## CONTROLS

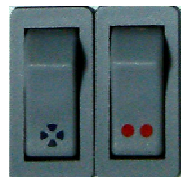
The heater is fitted with a thermostat. To set the thermostat to the required temperature rotate the control knob fully '+'. When desired room temperature is reached, rotate the knob slowly '-' and when the thermostat 'clicks' off, leave the control at this setting. Thereafter, the heater controls the heat output automatically.



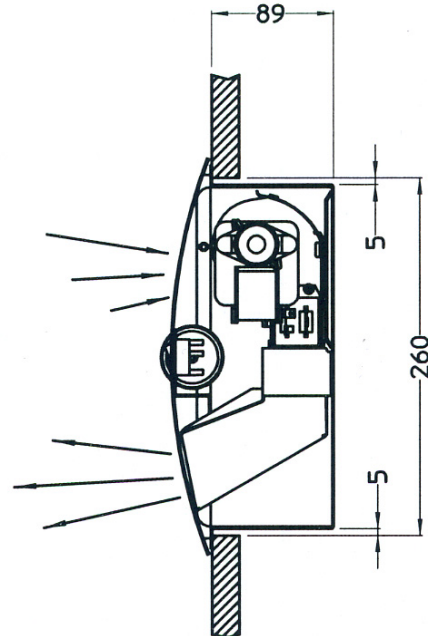
OFF



COLD BLOW



2 kW



## CONNECTION TO THE MAIN SUPPLY

Electrical installation should be carried out by a competent installer, preferably registered with NICEIC (National Inspection Council for Electrical Installation Contracting) in accordance with the 16 edition of the IEE Wiring Regulations, (BS.7671: 1992), and any relevant Local Authority Bye-Laws.

This heater is fitted with a 3-core mains supply cable and should be permanently connected to the electricity supply via a double pole switch having 3mm gap on each pole.

A switched Fused Connection unit to BS.1363. Part 4 is a recommended mains supply connection accessory to ensure compliance with safety requirements applicable to fixed-wiring installation.

## MAINTENANCE

ALWAYS ENSURE THAT THE MAIN EXTERNAL ELECTRICAL SUPPLY IS SWITCHED OFF BEFORE ANY MAINTENANCE IS CARRIED OUT.

To obtain the best results from the heater, it is necessary to avoid any accumulation of dust or dirt within the unit or on the air inlet grille. The unit should be cleaned regularly.

## PROTECTION (THERMAL CUT-OUT)

The unit is protected in the event of fan failure, or an obstruction of the free air flow, by a single thermal PTC Self Hold Cut-out. Having tripped the PTC Cut-out remains open, effectively switching off the heating elements as long as mains power is available inside the appliance. The Cut-out will only reset when the appliance is switched OFF and allowed to cool for at least 20 minutes.

## TO RESET THE PTC SELF HOLD CUT-OUT

DO NOT ADJUST BY HAND ANY INTERNAL COMPONENTS:

- a) The Cut-out is reset by switching OFF mains power to the appliance.
- b) Allow the appliance to cool for 20 minutes.
- c) Restart, switch ON the appliance. If the Cut-out trips again a qualified electrician should be called.