

Wiring Instructions

NB This appliance requires a 230-240V ac/50Hz electrical power supply.

Supplied with the appliance is an IEC 'Free' Socket. Connect a 3 amp 3 core mains cable, length as required, to this socket. Removing socket cover connect:

- 'Earth' core of cable to 'Earth' terminal.
- 'Live' core of cable to 'Live' terminal.
- 'Neutral' core of cable to 'Neutral' terminal.

Clamp cable into socket and replace socket cover.

Free end of mains cable should be hard wired into a 2 amp fused spur or plug. A 2 amp fuse is supplied with the appliance for this purpose.



ECOZONE CUMULUS AIR FILTER – MODEL: PA-CUM-10/20

A qualified engineer must install this unit

The Ecozone Cumulus is designed for use in offices, small restaurants or small bar areas where space is at a premium. It is designed for installation directly, via its mounting plate, to the ceiling in rooms in excess of 25m³ volume. Other types of mounting options may be used, see 'Appliance Installation' details in this instruction sheet.

It has an extremely efficient filter that will remove virtually all smoke and tar particles from the atmosphere. Frequency of filter replacement will depend upon the level of activity within the area. The filter should be examined on a monthly basis until a pattern is established. The filter pads should be exchanged when they have become clogged. If your model is fitted with an ozone generator, inside the body of the appliance, the ozone producing ceramic plate should be carefully wiped clean with a tissue soaked in methylated spirits. Clean ceramic plate as often as filter pads are replaced. To access the ozone generator plate, remove the filter frame and filter tray as detailed below.

Before undertaking filter pad replacement or ceramic plate cleaning – DISCONNECT ELECTRICAL SUPPLY.

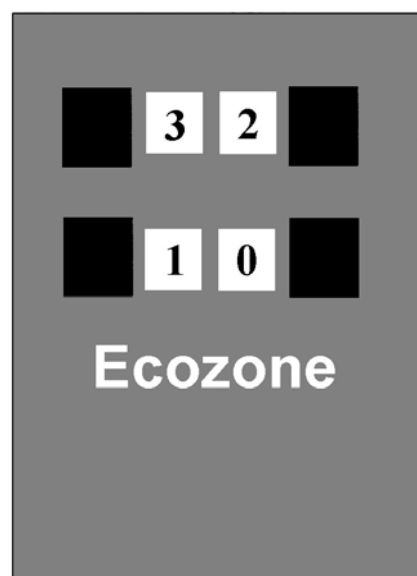
After undertaking any appliance maintenance, switch ON appliance and check unit is functioning correctly.

When installing the Ecozone the unit must be firmly fixed. Horizontal or vertical movement could cause the unit to vibrate.

If packing box or appliance show any visible signs of damage, contact your supplier immediately.

Check the following items were contained in the component bag with these instructions:

- Remote control handset and battery (if appliance is remote control model).
- Cable socket (IEC 'Free' Socket).
- 2 amp mains fuse.



Infra Red Remote Control

Fit 9 volt high capacity battery into control unit. (If not already fitted).

Point infrared hand control at the appliance, towards the clear lens on the front of the appliance.

Select the fan speed required.
(appliance has 3 red neons, on front edge, to indicate the fan speed to which the appliance has been set)

- 0 = Off (3 red neons – All OFF)
- 1 = Low (1 red neon - ON)
- 2 = Medium (2 red neons - ON)
- 3 = High (3 red neons - ON)

Press selected button on controller.

Remember, to switch appliance OFF press 'O'.

ECOZONE CUMULUS SPECIFICATIONS

| | | | |
|--|--|-------------------------------|----------------|
| Dimensions | 565 x 665 x 180 mm (includes mounting plate) | | |
| Weight | 23 kg (includes mounting plate) | | |
| Voltage Consumption | 230-240V ac 50Hz | | |
| Maximum Power | 180 Watt | | |
| Colours | Brown/Grey | | |
| Airflow | 1750 m ³ /hour | 3600 max m ³ /hour | 1 metre/second |
| Air cleaning capacity based on 6 air changes per hour (see Ecozone Cirrus for smaller areas) | Light odours | Up to 300 m ³ | |
| | Heavy odours | Up to 175 m ³ | |
| Manufactured to CE standards | EN60335-1, EN60335-2-6S, EN50081 part 1, EN55014 | | |

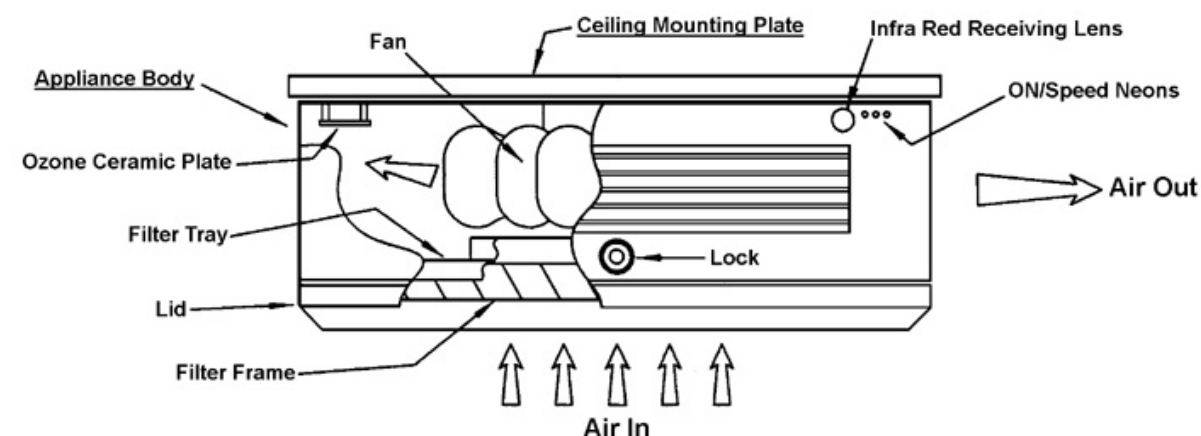
Due to our continued policy of research and development specifications can change without notice.

Failure to change dirty filters may impair the Ecozone performance and invalidate the warranty.

This warranty period is one year from the date of supply or installation.

Consort Equipment Products Ltd

Thornton Industrial Estate, Milford Haven, Pembrokeshire, SA73 2RT
 Tel: (+44) 01646 602172 Fax: (+44) 01646 695195
 Email: enquiries@consortpl.com Web: www.consorptpl.com



Ecozone Cumulus – Filter Frame Removal

- **Isolate appliance from mains power supply**
- It is best to clean and vacuum accumulated dust from the appliance exterior before opening the appliance lid.
- Unlock and open the appliance lid.
- It is best to clean and vacuum accumulated dust from the appliance interior as soon as appliance lid is opened.
- Unplug the filter frame power lead located at frame corner, close to hinge.
- Remove filter frame by slackening both screws of the frame retaining brackets. Pivot/turn brackets to release frame. Be careful as frame drops out. Remove filter frame.
- **To replace filters within the filter frame read the instructions supplied with replacement filter pads.**
- Replace the filter frame by relocating the filter frame into the filter tray, held by the frame retaining brackets. Screw retaining brackets secure.
- Remember to reconnect the filter power lead. Plug lead into the socket on the filter frame.
- Close appliance lid and lock with the key.

Ecozone Cumulus – Filter Tray Removal

Isolate appliance from mains power supply

- Remove filter frame as described above.
- Unscrew and remove filter tray from appliance body. Be careful as tray may drop down out of appliance body.
- You can now have access to the components within the interior of the appliance body.
- Replace the filter tray and then, with the retaining brackets, the filter frame. Screw tightly into position these items.
- Close appliance lid and lock with the key.

Appliance Installation

The appliance is designed for installation directly, via its mounting plate, to the ceiling, in rooms in excess of 25 m³ volume. The location of the unit should be chosen to maximise airflow through the unit and hence around its environment. For units controlled by infrared remote control handset, consider in which direction the front edge of the unit (edge with infra red receiving lens) faces for ease of operation.

NB The unit can be installed without the need to open the appliance body.

Step 1 Remove the ceiling mounting plate from the appliance by unscrewing the M6 screws (4 screws) securing the plate to the appliance. By sliding the plate slightly forward, to release locking tabs, lift plate away from appliance. See Fig 2 opposite. Retain screws safely for refitting appliance to plate.

Step 2 Having chosen where to fit the unit on the ceiling, locate position and direction of any ceiling joists to which the ceiling mounted plate may be secured.

Using a No 10 fixing screw of suitable length, secure mounting plate through hole 'A', see Fig 2 opposite, to ceiling. Do not fully tighten. This central fixing will allow easy adjustment of the plate into its final position. Rotate the plate to align with the ceiling joist one row of holes 'B'. Using more No 10 fixing screws secure the plate through holes 'B' to the same joist as hole 'A'. Before final position of plate is selected check upon the direction that the appliance front edge, with infrared receiving lens, will face, see Fig 2 opposite. Tighten all screws to firmly secure plate to ceiling. The appliance is heavy and at least 3 screws must be used. If the ceiling is uneven and the mounting plate has a tendency to rock after being secured to the joist there are 4 holes 'C' through which fixings can be fitted, steadying the plate corners. See Fig 2 opposite. Only after the mounting plate is secure is the appliance to be refitted onto the plate.

Step 3 Refit appliance onto ceiling mounted plate. The appliance is heavy. Carefully offer the appliance up to the mounting plate, feeding the locking tabs into the appliance body. Immediately slide the body forward so that the appliance is supported upon the locking tabs. Refit the 4 M6 screws removed at Step 1 to lock the appliance onto plate.

Step 4 Connect appliance to mains electrical power – see Wiring Instructions.

Step 5 Switch ON appliance and check unit is functioning correctly.

NB Alternative hanging of appliance.
The mounting plate may be suspended by 'rod' or 'chain'. To achieve this the corner holes 'C' are used. If installed this way, check for any excessive vibration of the appliance when in operation.

Fig 2 Appliance Body & Ceiling Mounting Plate

