

INSTALLATION, OPERATION AND MAINTENANCE INSTRUCTIONS FOR
Heat-Zone Fan Heater
 FOR WIRELESS CONTROLS
 Catalogue Numbers: HE7010W 3 kW 230/240V

PLEASE RETAIN THIS LEAFLET FOR FUTURE MAINTENANCE

MODEL

Heat-Zone is a quiet Fan Heater designed for Commercial and Industrial situations, and is suitable for mounting on the wall. The Heat-Zone incorporates a tangential flow fan and the unit is designed to operate in free air conditions. It is important that there should be no restriction on the free flow of air through the unit.

MOUNTING

The normal mounting height is 2.3m above the floor, although this will depend to some extent on the situation. The unit should be mounted at least 450mm below the ceiling.

The heater can be positioned to blow air at any angle, from horizontal to vertically downwards, subject to the conditions mentioned below. It is suggested that an angle of 45° is a convenient starting point when setting up the unit.

It must always be installed with the axis of the motor horizontal. Failure to ensure this will result in excessive bearing wear and premature failure.

A mounting bracket is provided for mounting on a wall.

The heater should not be mounted in situations where it may be subject to conditions of excessive humidity or the atmosphere is corrosive.

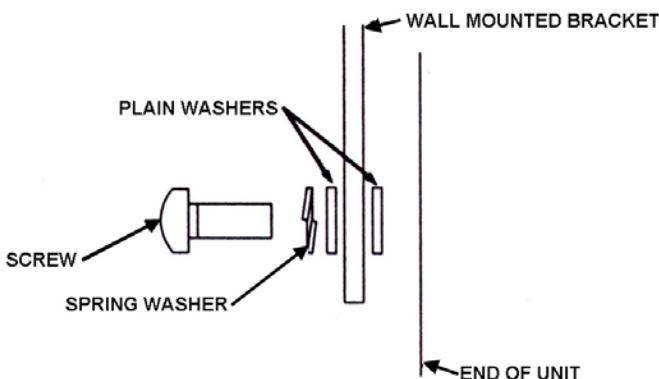
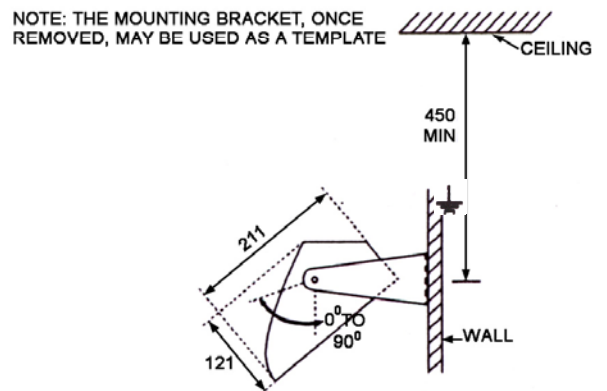
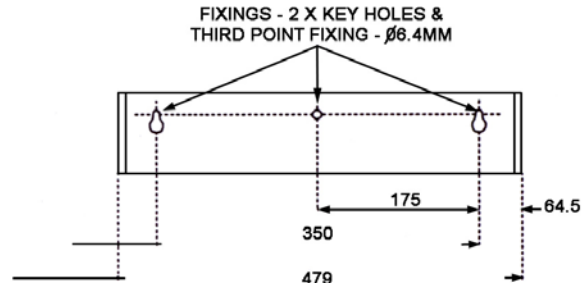
INSTALLATION

To the unit connect a suitable length of 3 or 4 core flexible cable to the input terminal block.

Loosen mounting screws, allowing the mounting bracket to be removed from the unit. Making sure that the mounting bracket is horizontal, fix the bracket to the wall using 3 x No 8 wood screws.

Place the unit on the mounting bracket ensuring the washers are spaced as on diagram (a plain washer either side of the mounting bracket).

Tighten screws to hold the unit at the required angle.



WALL BRACKET ASSEMBLY

ELECTRICAL CONNECTIONS

These units are suitable for connection to a 230/240V 50Hz single phase ac supply. The units consume 3kW of electrical power when the fan and heater are in operation.

To connect a supply to the heater, first remove the top cover by unscrewing the 4 fixing screws (2 either side), then lifting off the cover. The input terminal block, marked NFH, is fitted at the left hand side of the unit looking from above (at the opposite end to the fan motor).

A double-pole isolator switch should be included in the installation.

OPERATION

This heater is controlled by a Celsia Zone Controller CZC1 and can only be used when connected. Each CZC1 can control any number of heaters. The heater has an indicator light positioned on the fascia panel on the top left side. The light may be:

Green	- when no heat is needed
Yellow	- when some heat is needed to maintain the room temperature
Red	- when the heater is on full power
Fast Flashing Red	- when the heater has overheated and an Electronic Safety Control has switched the heater off.

Please refer to the user and operating instructions for the CZC1 for detailed instructions.

ELECTRONIC SAFETY CONTROL

The appliance is fitted with an Electronic Safety Control (ES). This is a safety device which switches the heater off if, for any reason, the appliance overheats. The overheating is indicated by fast flashing red light. The ES control can only be re-set after the appliance has cooled down. In order to re-set the ES control, proceed as follows:

- Switch the appliance off at the mains by using the isolator switch and leave to cool down for approximately 5 minutes.
- Switch appliance back on and the ES control will re-set.
- Ensure that the appliance is functioning correctly. If the ES control operates again, the appliance should be checked by a competent electrician.

MAINTENANCE

ALWAYS ENSURE THAT THE MAIN EXTERNAL ELECTRICITY SUPPLY IS SWITCHED OFF BEFORE ATTENDING TO THE SERVICING OF THE UNIT.

To obtain the best results from Heat-Zone it is necessary to avoid any build-up of dust or dirt within the unit or on the air inlet grille. For this reason the unit should be cleaned regularly, paying particular attention to the removal of dirt build-up on the back of the fan rotor blades.

The removal of dust and dirt is best achieved using a soft brush.

TO REMOVE THE FAN HEATER ASSEMBLY

- a) Remove the top cover as described under the heading 'Electrical Connection'.
- b) Disconnect the supply wires to the input terminal block and earth post.
- c) Unscrew the bush holding the terminal block assembly to the main case.
- d) Remove the 4 nuts and washers holding the fan heater assembly in place.
- e) The fan heater assembly, terminal block and internal wiring can now be removed.

The assembly is replaced by carrying out the above operations in the order e) to a).

SPARES

It is essential when ordering spares or replacement parts to state the model number and serial number on the rating plate fixed to the top of the unit.

In the interest of progress the Company reserves the right to vary specifications from time to time without notice. The material listed is offered subject to the Company's General Conditions of Sale, a copy of which may be obtained by request.