

MILLIMETRES					
	WATTS	A	B	C	D
PLC050/NC/TI(SS)	500	442	430	196	123
PLC075/NC/TI(SS)	750	442	430	196	123
PLC100/NC/TI(SS)	1000	614	430	364	125
PLC125/NC/TI(SS)	1250	614	430	364	125
PLC150/NC/TI	1500	680	430	448	116
PLC150/NC/TISS	1400	680	430	448	116
PLC200/NC/TI(SS)	2000	852	430	616	118

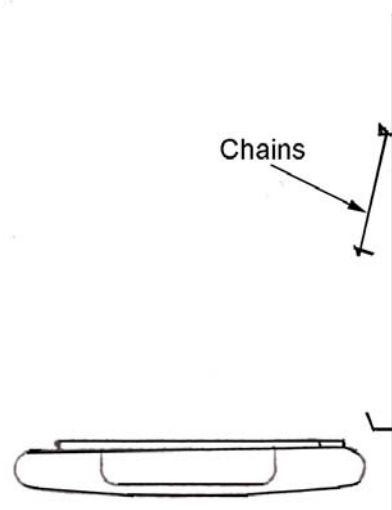


Fig 1

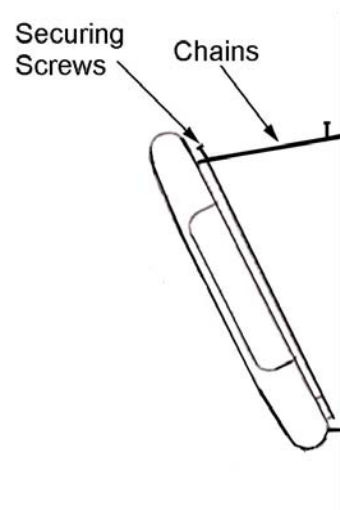


Fig 2



Fig 3

MODELS

PLC050/SS
PLC075/SS
PLC100/SS
PLC125/SS
PLC150/SS
PLC200/SS

Thermostat and Switches

PLC050TI/SS
PLC075TI/SS
PLC100TI/SS
PLC125TI/SS
PLC150TI/SS
PLC200TI/SS

Thermostat Switches and Timer

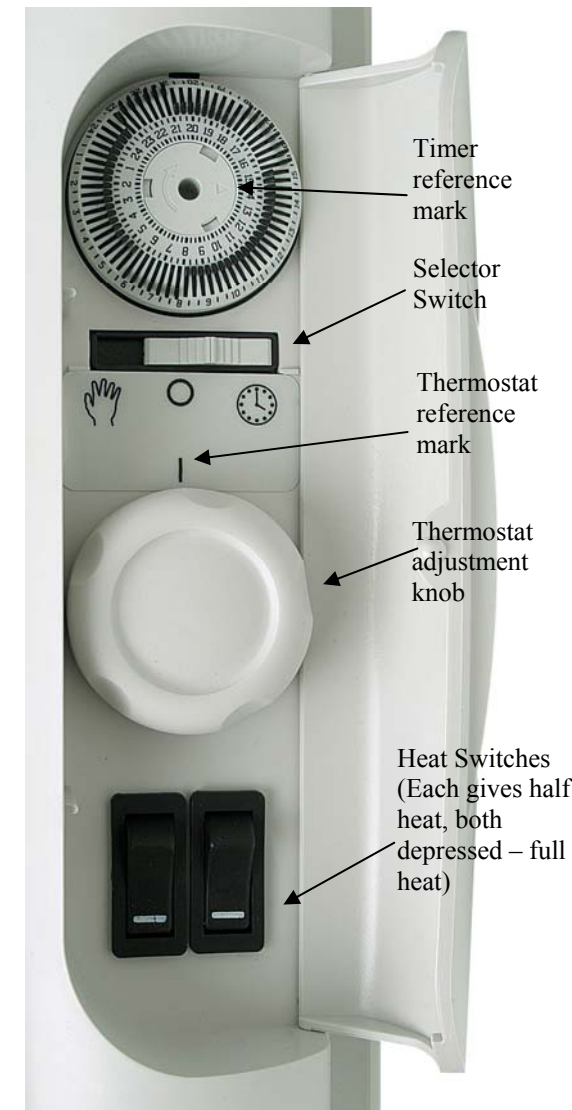
PLC050NC/SS
PLC075NC/SS
PLC100NC/SS
PLC125NC/SS
PLC150NC/SS
PLC200NC/SS

No Controls

CONTROLS

When the appliance is connected to the mains supply and the wall socket is switched 'ON' the mains neon indicator will light, showing that the power is available to the unit.

NB: On the non-timer models there is no timer control and selector switch.



The controls (except NC models) are located behind a cover on the right hand end of the appliance.

The heaters (except the NC models) are fitted with a build-in thermostat to control the temperature level to which the room is heated. The thermostat adjustment knob is located on the right hand end and is numbered. Rotate the knob clockwise to a higher number against the thermostat reference mark to raise the room temperature. Once set it is unlikely to require being touched again.


To set the heater to the Frost Watch mode, turn the thermostat control knob fully anti-clockwise until the frost symbol aligns with mark.

USING THE TIMER (TI Models only)

The heater must be connected to the mains supply in order for the timer to operate continuously.


Set the current time of day onto the timer by rotating the dial face clockwise until the correct time is indicated against the timer reference mark on the 24-hour clock face.

AUTOMATIC OPERATION

Move the switch immediately beneath the timer to the auto position designated .

1. The 24-hour timer can be set to give any combination of On/Off intervals to a minimum of 20 minutes on. Select the 'On' time required by pressing the black segment (on the circumference of the timer) adjacent to the time required outwards. This will cause the heater to switch 'On' at the selected time for 20 minutes operation. Each additional segment pressed out will give a further 20 minutes of operation. In this way, select the length of time required for the unit to be 'On' and push out the number of 20-minute segments necessary to select the time period required.
2. The timer can be set to give as many 'On' periods as required during any 24-hour period.
3. This program will repeat itself every 24 hours until changed. This program may be overridden at any time by switching to manual operation.

MANUAL OPERATION

Move the rocker switch immediately beneath timer to the manual position designated . The heater will now run continuously, controlled by the heat settings and thermostat as described under 'Controls'.

THERMAL OPERATED CUT-OUT

The appliance is fitted with an Electronic Safety Control (ES). This is a safety device, which switches the heater off if, for any reason, the appliance overheats. The ES control can only be re-set after the appliance has cooled down. In order to re-set the ES control, proceed as follows:

- Switch off appliance and leave for approximately 5 minutes.
- Switch appliance back on and ES control will re-set.
- Ensure that the appliance is functioning correctly. If the ES control operates again, the appliance should be checked by a competent electrician.

The heater carries a 'Do Not Cover' label to warn the user that if the appliance is covered, there is a risk of overheating.

CAUTION - In order to avoid a hazard due to inadvertent resetting of the thermal cutout, this appliance must not be supplied through an external timer or connected to a circuit that is regularly switched on and off by the utility.

MOUNTING

This unit is for wall mounting only; the wall bracket supplied must be used.

1. Remove wall bracket from the heater, with the chains attached, by removing the 2 securing screws from the top of the rear panel.
2. Fix wall bracket to wall using screw holes (4 off) provided.
3. Fig 1: Present heater to bracket
4. Fig 2: Locate heater onto bottom lugs via 2 sets of relevant slots in rear panel. Hinge heater upwards and replace screws with link plates of chain attached, then move heater to upright position. The link plates should slide under the slotted bracket lip.
5. Fig 3: Tighten both retaining screws.

The heater must not be located immediately below a fixed socket outlet.

CONNECTION TO THE MAIN SUPPLY

Electrical installation should be carried out by a competent installer, preferably registered with NICEIC (National Inspection Council for Electrical Installation Contracting) in accordance with the 16 edition of the IEE Wiring Regulations, (BS.7671), and any relevant Local Authority Bye-Laws.

This heater is fitted with a 3-core mains supply cable and should be permanently connected to the electricity supply via a double pole switch having 3mm gap on each pole.

A switched Fused Connection unit to BS.1363, Part 4 is a recommended mains supply connection accessory to ensure compliance with safety requirements applicable to fixed-wiring installation.

Note: When switched on for the first time the appliance may emit a slight smell. This is purely the evaporation of a fluid used in the manufacturing process.

WARNING: This appliance must be earthed.

CLEANING

Always disconnect the heater from the mains before cleaning.

The heater should not require any maintenance, but it is strongly advised that it is kept clean. An occasional wipe over with a soft cloth is all that should be necessary.

- Do NOT use metal or furniture polish on any part of the heater
- Do NOT touch the heater with wet hands or in any way bring water into contact with it.

If the supply cord is damaged, it must be replaced by the manufacturer or its service agent or a similarly qualified person in order to avoid a hazard.

SAFETY

This equipment has been designed and manufactured to the highest international standards, but, like all electrical appliances which are operated by mains voltage, care must be taken if you are to obtain the best results and safety is to be assured.

NOTE: The appliance is not intended for use by persons (including children) with reduced physical, sensory or mental capabilities, or lack of experience and knowledge unless they have been given supervision or instruction concerning use of the appliance by a person responsible for their safety.

Children should be supervised to ensure that they do not play with the appliance

- Do NOT site the appliance into a corner.
- Do NOT handle the appliance with wet hands.
- Do NOT use the appliance in workshops or rooms where excessive dust is generated or present.
- Ensure that nothing is pushed into any aperture of this appliance.
- Do NOT touch outlet grille when the appliance is in use.
- Do NOT cover or restrict any aperture of the appliance when in use.
- Do NOT use the appliance if damaged.
- Do NOT leave the appliance unattended where young children are present.
- If used in a bathroom, the heater is to be installed so that the switches and other controls cannot be touched by a person in the bath or shower.

This appliance meets the requirements of EU Directive 89/336 for EMC.

NOTE: The rating label can be viewed by loosening the two mounting bracket screws and hinging the appliance forward on its retaining chains.

IF YOUR HEATER DOES NOT WORK

- Check that power is available to the heater. The neon in the control switch should be illuminated.
- Check that the thermal cut-out has not operated. Follow the reset instructions given under the section headed 'Thermal Operated Cut-out'.
- Check that the fuse in the spur unit has not blown. This can be done by replacing the fuse with another suitable fuse. Should neither of the above remedies work, then telephone the helpline number shown in these instructions. (UK ONLY).
- Do not attempt to repair the heater.

GUARANTEE

This guarantee is offered to you as an extra benefit and does not affect your legal rights.

All electrical appliances produced for the Company are guaranteed for one year against faulty material or workmanship. This applies only if the appliance has been used for purposes in accordance with the instructions provided and has not been connected to an unsuitable electricity supply, or subject to misuse, neglect, damage or modified or repaired by any person not authorised by us.

The correct electricity supply voltage is shown on the rating label attached to the appliance.

CUSTOMER HELPLINE

Should you need any advice on the use of your new Consort product, or should you require service or repair, please contact our Helpline:

☎ 01646 692172 Mon to Fri 8.30 am to 3.30 pm

Consort Equipment Products Limited
Thornton Industrial Estate, Milford Haven, Pembrokeshire, SA73 2RT
Tel: 01646 692172 Fax: 01646 695195
Email: enquiries@consortepl.com Web: www.consortepl.com

CONSORT

QUALITY SPACE HEATERS

INSTALLATION, OPERATION AND MAINTENANCE INSTRUCTIONS FOR

CONSORT PANEL CONVECTOR HEATERS

PLEASE RETAIN THIS LEAFLET FOR FUTURE MAINTENANCE

Catalogue Numbers:	PLC050/SS	PLC050TI/SS	PLC050NC/SS
	PLC075/SS	PLC075TI/SS	PLC075NC/SS
	PLC100/SS	PLC100TI/SS	PLC100NC/SS
	PLC125/SS	PLC125TI/SS	PLC125NC/SS
	PLC150/SS	PLC150TI/SS	PLC150NC/SS
	PLC200/SS	PLC200TI/SS	PLC200NC/SS

Please note: 'SS' suffix added to model number denotes Stainless Steel derivative
'PLCF' models are fitted with an additional frost protection thermostat

