

INSTALLATION, OPERATION AND MAINTENANCE INSTRUCTIONS FOR
Warm Air Curtain Heaters
 Catalogue Numbers: HE7402-22 (3 kW) and HE7420-22 (4.5 kW) - 230/240V models

PLEASE RETAIN THIS LEAFLET FOR FUTURE MAINTENANCE

MODELS

These units are 635mm 3kW & 4.5kW modular heaters designed for mounting above doorways and similar entrances, and may be used as space heaters. 990mm 4.5kW and 990mm 6kW modules are also available.

MOUNTING

The unit should be positioned so that the airflow is not obstructed by any part of the doorframe.

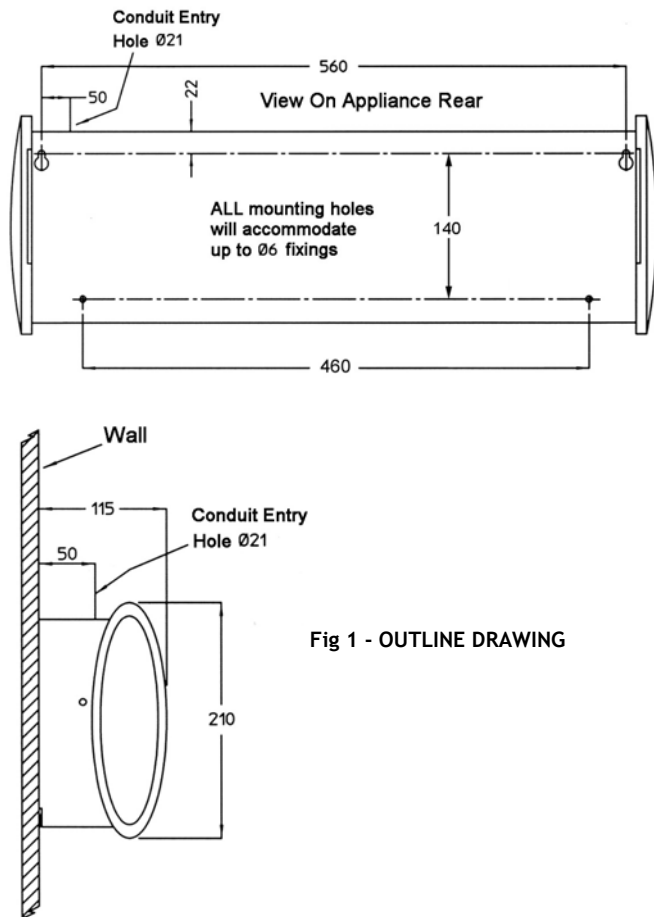


Fig 1 - OUTLINE DRAWING

INSTALLATION

Carefully unpack the unit and remove the top cover fixing screws. The heater may be mounted using the mounting bracket provided.

Remove mounting bracket screws, allowing the mounting bracket to be removed from the unit. Making sure that the mounting bracket is horizontal, fix the bracket to the wall using 4 x No 8 wood screws. Place the unit on the mounting bracket ensuring the washer is positioned as in diagram.

Tighten screws to hold the unit at the required angle.

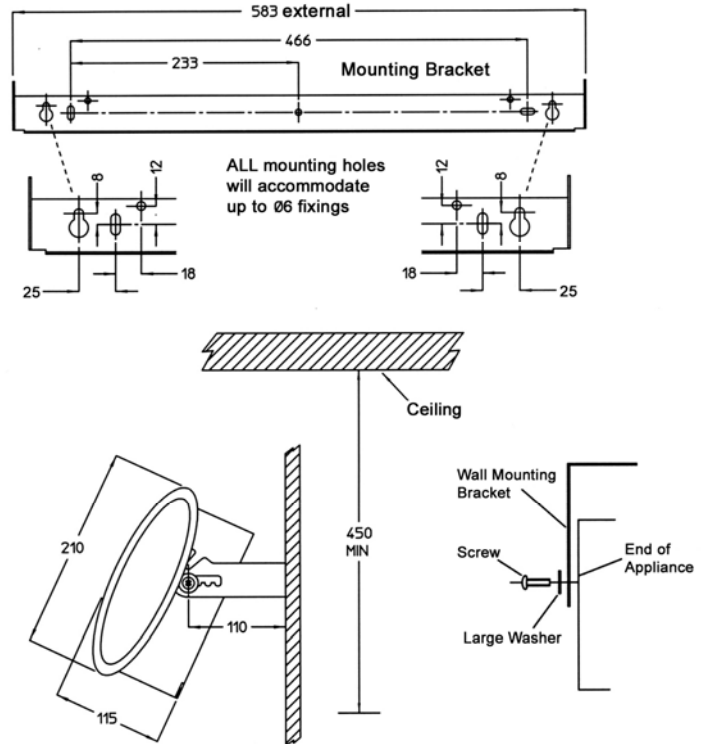


Fig 2 WALL BRACKET ASSEMBLY

The heater may also be mounted directly onto a suitable wall or bearer by four No 8 wood screws through the holes provided in the back of the unit casing. Keyhole slots are provided for the top two fixings (fig 1).

ELECTRICAL CONNECTIONS

These units are suitable for connection to a 230/240 volt 50 Hz single phase ac supply, except for the 220 volt models. The heaters consume 3kW & 4.5kW respectively at 240 volts when switched to the full heat position.

Model HE7402-22 (see fig 2) - 3 kW

Model HE7420-22 (see fig 3) - 4.5 kW

The appliance should be connected to the supply via a circuit in which there is an all-pole switch. Test for correct operation and refit the cover.

NOTE: Both these units are suitable for remote control operation, with the use of remote control switch part no. HE8407

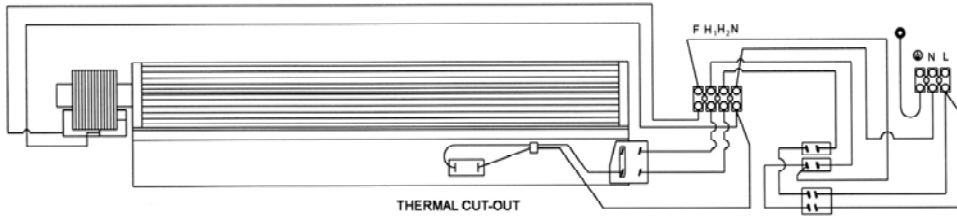


Fig 3 WIRING DIAGRAM - HE7402-22

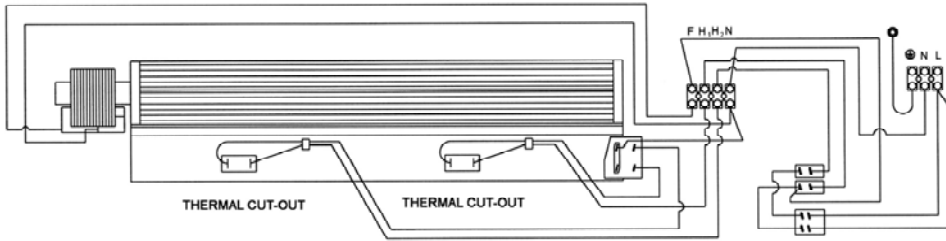


Fig 4 WIRING DIAGRAM - HE7420-22

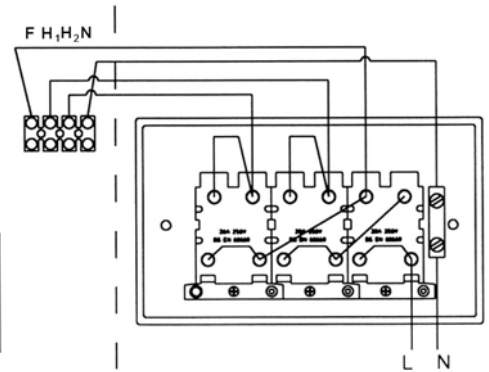


Fig 5 REMOTE CONTROL - HE8407

For safety reasons a sound earth connection must always be made to the unit before it is put to use. The unit should be wired in accordance with IEE Regulations for the Electrical Equipment of Buildings.

NOTE: The unit MUST be reliably earthed.

OPERATION

The right hand switch connects the mains supply to the fan motor (giving a cool airflow) and energises the heat control switches.

HEAT CONTROL HE7402-22

When the centre switch (marked with a single black dot) is depressed the heat output is 1kW. When the left-hand switch (marked with two black dots) is depressed the heat output is 2kW. When both switches are depressed the heat output is 3kW.

HEAT CONTROL HE7420-22

When the centre switch (marked with a single black dot) is depressed the heat output is 1.5kW. When the left-hand switch (marked with two black dots) is depressed the heat output is 3kW. When both switches are depressed the heat output is 4.5kW.

MAINTENANCE

Always ensure that the main external electricity supply is switched off before attending to the servicing of your Claudgen Screen-Zone heater.

To obtain best results from your heater it is necessary to avoid the build up of dust and dirt within the unit and on the air inlet and discharge grills. For this reason regular cleaning is necessary, paying particular attention to the removal of dirt build up on the rotor blades. A single drop of light oil should be applied to the motor bearing from time to time.

PROTECTION (Thermal Cut-out)

The units are protected in the event of fan failure, or an obstruction of the free airflow, by thermal PTC Self Hold Cut-outs. Having tripped, the PTC cut-out remains open, effectively switching off the heating elements, as long as mains power is available inside the appliance.

TO RESET THE PTC SELF-HOLD CUT-OUT

DO NOT ADJUST BY HAND ANY COMPONENTS

- The cut-out is reset by switching OFF mains power to the appliance.
- Allow the appliance to cool for 20 minutes.
- Restart, switch ON the appliance. If the cut-out trips again a qualified electrician should be consulted.

TO REPLACE A SWITCH

- Remove the top cover.
- Release the three fixings which secure the switch bracket to the right hand side of the main case.
- Remove the push-on connectors, noting their position.
- Remove by compressing the plastic retaining tabs, and lifting out the switch.
- Insert the new switch, refit and push on connectors in the correct order, test and reassemble.

TO REPLACE THE FAN HEATER ASSEMBLY

- Remove the top cover.
- Disconnect the internal wiring from the main terminal block and earth stud.
- Release the three fixings which secure the switch bracket to the right hand of the main case.
- Remove the four nuts and washers fixing the fan heater assembly to the back of the case.
- The fan heater assembly can now be eased forward and removed from the heater case.
- Fit replacement fan heater and reassemble in reverse order.

SPARES

It is essential when ordering spares or replacement parts to state the model number and the serial number on the rating plate fixed to the top of the unit.

In the interest of progress the Company reserve the right to vary specifications from time to time without notice. The material listed is offered subject to the Company's General Conditions of Sale, a copy of which can be obtained on request.

NOTE: DO NOT COVER any of the air inlet or outlet grills, at any time.