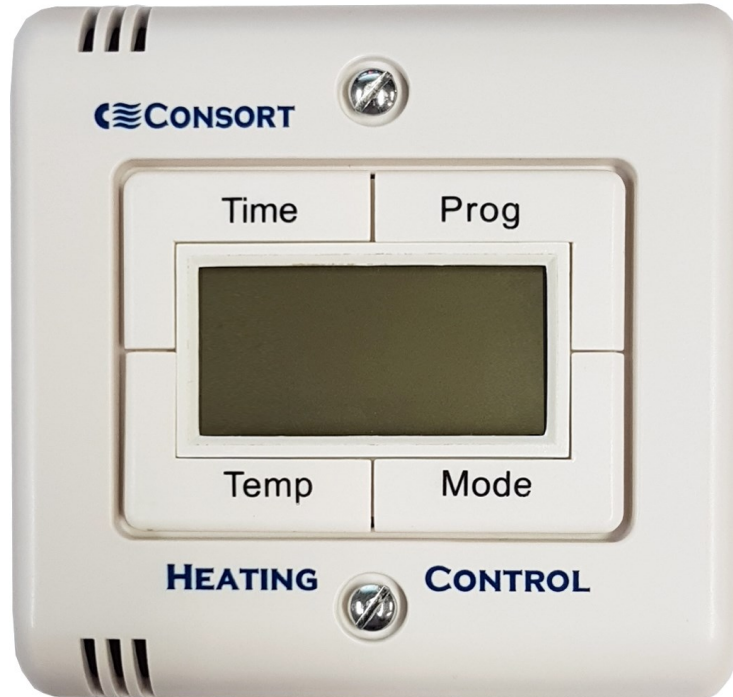


SLTI CONTROLLER



Installation & Control Guide for SLTI Wireless Controller

All electrical appliances produced for the Company are guaranteed for one year against faulty material or workmanship. This applies only if the appliance has been used for purposes in accordance with the instructions provided and has not been connected to an unsuitable electricity supply, or subject to misuse, neglect, damage or modified or repaired by any person not authorised by us. This guarantee is offered to you as an extra benefit and does not affect your legal rights.

The correct electricity supply voltage is shown on the rating label attached to the appliance.

Reasonable care has been taken to ensure that this guide is accurate at the time of printing. In the interests of progress the Company reserve the right to vary specifications from time to time without notice.

CUSTOMER HELPLINE

Should you need any advice on the use of your new Consort product please contact our Helpline:

Consort Equipment Products Limited

Thornton Industrial Estate, Milford Haven, Pembrokeshire, SA73 2RT

Tel: 01646 692172 Fax: 01646 695195 Email: technical@consortepl.com Web: www.consortepl.com

Operation hours: Mon to Thu 8.30am to 4.30pm | Fri 8.30am to 3.30pm

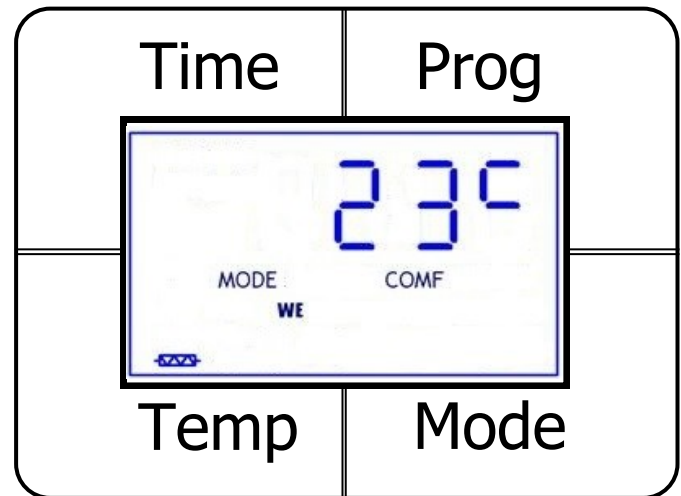
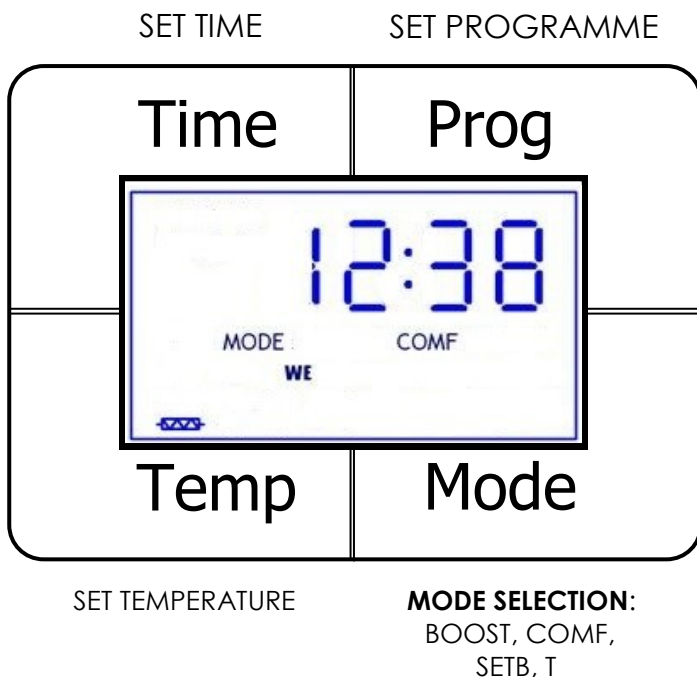
BS EN ISO 9001 Registered Company No FM12671

SLTI Wireless Controller

Installation and User Guide

Overview

The SLTI controller can control an unlimited number of heaters. The controller has 4 operating modes. When a button is pressed, the LCD backlight will turn on. It will stay ON for approximately 10 seconds. The display shows time, day, room temperature and the controller status.



Temp on Display= Room Temp
To change mode, press MODE.
Heat symbol = Heat is on
To display temperature on display, press TEMP.
To display time on display, press TIME.

Mode

- **BOOST** - 15 minutes boost to a set temperature limit.
After 15 minutes, heater will revert back to the previous setting.
- **COMF**
Heater maintains a set comfort temperature.
Temperature range 16°C - 35°C.
- **SETB**
Heater can be set to stand by, frost protection or maintaining a setback temperature.
Temperature range 4°C - 16°C, 4°C is frost protection and symbol '- - -' is for stand by mode.
- **T - Automatic mode**
Option for 24 hour timer or 7 day programmed operation.
Heater is operating on the pre set Comfort and Setback periods.
Up to 3 programmes per day.

Setting the Time and Day

- **Press and hold the TIME button for 5 seconds.**
Hours are flashing - use TEMP and MODE buttons to set hours.
- **Press TIME button**
Minutes are flashing - use TEMP and MODE buttons to set Minutes.
- **Press TIME button**
Day is flashing - use TEMP and MODE buttons to set Day.
Once you are happy with the settings, press 'Time' to return to main screen.

Locking / Unlocking the buttons

Press and hold the TIME & TEMP buttons for 5 seconds or until you hear a noise.

Setting Temperature Comfort, Setback and Boost periods

The comfort and setback temperatures are set during the same procedure. The comfort is set first, followed by the setback. Make sure the mode is set to COMF, SETB or T mode.

- Press TEMP button**
 The display now shows the COMF icon and the set temperature for COMF mode is flashing.
 Within 2 seconds press TEMP or MODE buttons to set required temperature for Comfort mode. The range is 16°C - 35°C (ON period).
- Press PROG button**
 The display now shows the SETB icon and the set temperature for SETB mode is flashing.
 Within 2 seconds press TEMP or MODE buttons to set temperature for Setback mode.
 The range is ' - - ', 4°C - 16°C (OFF period)
 ' - - - ' means heating OFF.

To set a temperature limit for **BOOST** mode:

- Press MODE button**
 The controller is now in BOOST mode.
 Wait until the display shows the remaining time.
- Press TEMP button**
 The display is showing the BOOST icon and the set temperature limit for BOOST mode is flashing. Within 2 seconds press TEMP or MODE buttons to set temperature limit for BOOST mode. The range is 25°C - 35°C.

Setting up a programmed Time schedule

- Hold PROG button for 5 seconds**
 Select 24 hour timer or 7 day timer - use TEMP and MODE buttons.
- Press the PROG button**
 Day is flashing - use TEMP and MODE buttons to select day you want to set the time schedule for.
- Press PROG button**
 Now you are setting time for the beginning of the 1st heating period.
 From now the heater will maintain COMF temperature.
 PROG 1 COMF
 Hours are flashing - use TEMP and MODE buttons to set hours.

- Press PROG button**
 Minutes are flashing - use TEMP and MODE buttons to set Minutes.
- Press PROG button**
 Now you are setting time for the end of the 1st heating period.
 From now the heater will maintain SETB temperature.
 PROG 1 SETB
 Hours are flashing - use TEMP and MODE buttons to set hours.
- Press PROG button**
 Now you are setting time for the beginning of the 2nd heating period.

This pattern continues, the PROG button advances to the next setting and TEMP and MODE are used to adjust the hours and minutes.

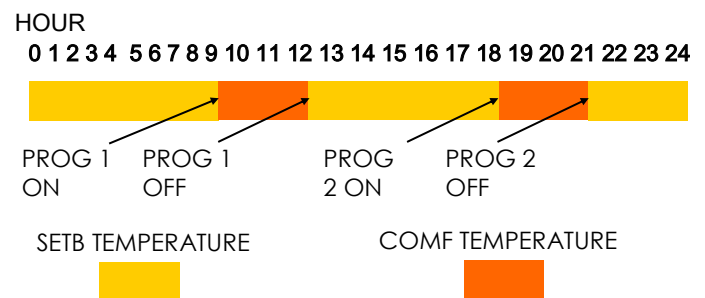
If a heating period is not required set the time to - - : - - and this will make the period inactive.

When you reach the end of the 3rd heating period of the day and press the PROG button **the program is saved to memory**. The display returns to either the main screen or the day select screen. If the display times out during programming then the program will not be saved.

Repeat this process for whichever days you wish to set a program for.

Once you set every time, press PROG to return to main screen. Alternatively, hold PROG for 5 seconds to exit programming.

EXAMPLE OF TIME SCHEDULE FOR ONE DAY WITH 2 HEATING PERIODS



Installation

The controller is designed to fit onto most single gang back boxes. **Please note the pattress screws must be oriented vertically.** When a metal box is used this must be earthed. The controller can be powered by either mains 240VAC 50Hz or 12VDC. The power consumption is less than 1W. Do not connect mains voltage to 12V terminals, this will damage the controller. The maximum size wire that can be used is 1mm², this can be twin and earth or standard flex. Do not over-tighten the connector screws. Take care not to damage the components when connecting the cables.

Connection to the Mains supply

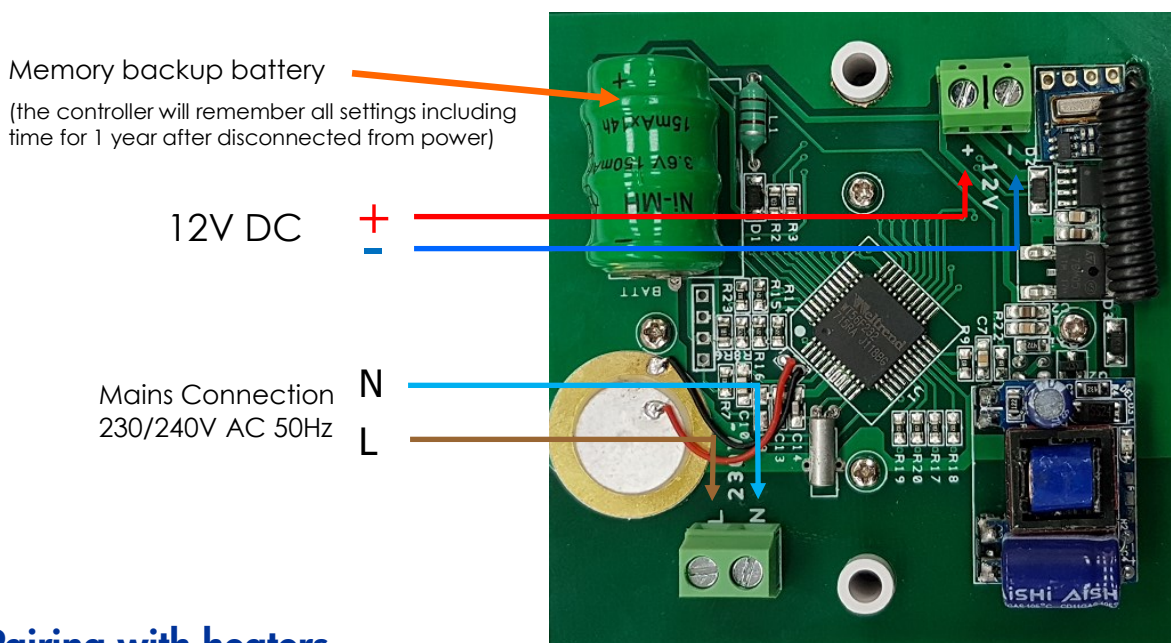
For the mains power, connect L and N wires to the connectors marked as L and N.

Electrical installation should be carried out by a competent installer, preferably registered with NICEIC (National Inspection Council for Electrical Installation Contracting) in accordance with the 17 edition of the IEE Wiring Regulations, (BS.7671), and any relevant Local Authority Bye-Laws. This heater is fitted with a 3-core mains supply cable and should be permanently connected to the electricity supply via a double pole switch having 3mm gap on each pole. A switched Fused Connection unit to BS.1363. Part 4 is a recommended mains supply connection accessory to ensure compliance with safety requirements applicable to fixed-wiring installation.

Connection to 12V

Powering the controller with 12Vdc allows the controller to be installed in a zone 2 area, however, the installation must comply with the Separated Extra Low Voltage (SELV) requirements. When powered by 12VDC, please ensure that the power supply is suitable for 12V 0.1A. For 12VDC power connect positive wire to terminal marked +12V and negative to terminal marked -12V.

Please note: A 12Vdc power supply does not come with this controller, however, a standard 12Vdc constant voltage LED driver could be used.



Pairing with heaters

In order to pair your appliance with the controller you must:

- Turn power to the appliance ON.
- Within 20 seconds, press and hold the TIME and PROG buttons on the controller for 2 seconds.
- Press Boost button. You should see the heat symbol on the display. If the pairing was successful, the appliance should emit heat. It can take up to 4 seconds. If the heating symbol isn't shown on the display, ensure that the temperature for BOOST mode is set to 35°C.

Warnings

- Do NOT handle the appliance with wet hands.
- Do NOT use the appliance in workshops or rooms where excessive dust is generated or present.
- Ensure that nothing is pushed into any aperture of this controller.
- Do NOT cover or restrict any aperture Do NOT use the appliance if damaged.
- Do NOT leave the appliance unattended where young children are present.
- If used in a bathroom, the heater is to be installed so that it cannot be touched by a person in the bath or shower.
- Operating temperature range -10 to +40°C.